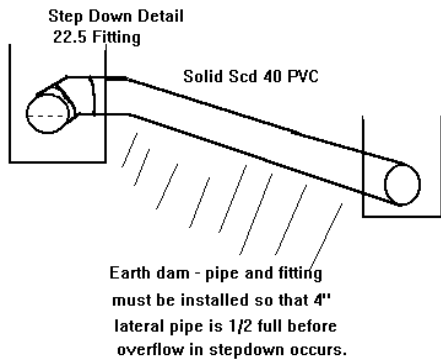


SKETCH PLAN (CONVENTIONAL SYSTEM)

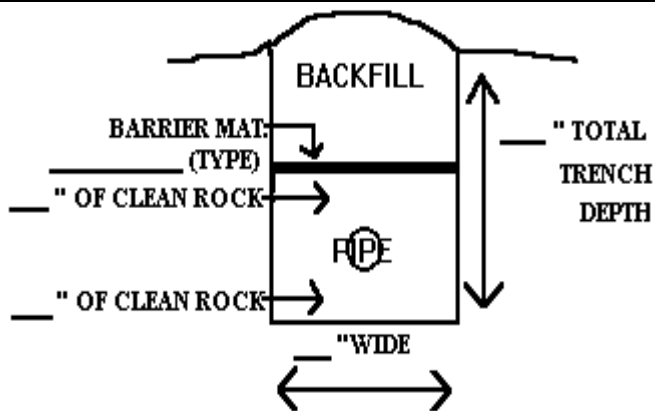
DRAWN BY: _____

FOR: _____

N
W E
S



Note: Show reference points for location of system (such as pits).



GRAVEL SIZE _____
 GRAVEL TYPE _____
 GRAVELESS PIPE SIZE _____

Design Details (fill in the blanks)

- _____ Ft. of 4" SCD 40 between house and tank
- _____ Ft. of 4" SCD 40 from tank to lateral field
- _____ Gallon concrete septic tank
- _____ (size) gravel bedding for tank
- _____ % slope in lateral field
- _____ Bedroom home
- _____ Ft. setback to P/L
- _____ Ft. setback to well
- _____ Ft. setback to waterlines
- _____ (size) Schedule 40 solid pipe and fittings
- _____ Perforated Pipe strength
- _____ Curtain Drain depth
- _____ Ft. to Sinkhole rim or flooding elevation
- Well Public Private
- Community